

## 2.3 cu. ft. Compact All-in-One Washer & Dryer Combo

- Compact All-In-One Washer/Dryer Combination
- Ventless Condensing Drying
- 2.3 cu. ft. Capacity
- 14 Cycles / 9 Options
- Internal Heater
- Direct Drive Motor (10-Year Limited Warranty)
- NeverRust™ Stainless Steel Drum
- NFC Tag On
- SmartDiagnosis™



### COLOR AVAILABILITY

- WM3488HW – White
- WM3488HS – Silver

### CAPACITY & MATCHING DRYERS

Capacity (cu. ft.)	2.3
Matching Electric Dryer	N/A
Matching Gas Dryer	N/A

### APPEARANCE

Electronic Controls with LED Display	Yes
Hard Buttons	Yes
Touch Buttons	Yes
Dial-A-Cycle™	Yes

### ENERGY & WATER

ENERGY STAR® Qualified	No
CEE Qualified	No
Integrated Modified Energy Factor (IMEF)	2.0
Integrated Water Factor (IWF)	6.0

### CYCLES

Number of Cycles	14
Wash Cycles	Cotton/Normal, Bulky/Large, Baby Wear, Perm. Press, Delicates, Hand Wash/Wool, Speed Wash, Tub Clean, Sanitary, Heavy Duty, Drain+Spin, Wash+Dry, Sports Wear, Downloaded Course

### OPTIONS

Number of Options	9
Options	Prewash, Rinse+Spin, Delay Wash(Time Delay), Water Plus, Extra Rinse, Child Lock, Signal (Beeper) On/Off, Custom PGM, PGM Save

### WASH DETAILS

Internal Heater	Yes
Number of Wash/Rinse Temps	5
Wash/Rinse Temps	Extra Hot, Hot, Warm, Cold, Tap Cold (All Cold Rinses)
Number of Spin Speeds	5
Spin Speeds	Extra High, High, Medium, Low, No Spin
Max RPM	1,400
Water Levels	Load Sensing
Number of Soil Levels	3
AAFA Certified	No

### DRY DETAILS

Ventless Condensing Drying	Yes
Automatic Dry Cycles	More Dry, Normal Dry, Damp Dry, Low Temp Dry
Time Drying	120 min, 60 min, 30 min
Normal Drying	Yes
Turbo Drying	No

### FABRIC CARE

AI DD™	No
Wash Technology	Standard
Steam Technology	No
Allergiene™ Cycle	No
Sanitary Cycle	Yes
ColdWash™ Option	No
SenseClean™ System	No

### CONVENIENCE

TrueBalance™ Anti-Vibration System	Yes
Dispenser Type	3-Tray (Main Wash Detergent, Liquid Fabric Softener, Prewash Detergent)
LoDecibel™ Quiet Operation	Yes

**CONVENIENCE CONTINUED**

End of Cycle Signal	Yes
LoadSense	Yes
Child Lock	Yes
Auto Suds Removal	Yes
4 Adjustable Leveling Legs	Yes
Easy Loading TilTub™	Yes
ADA Compliant	No

**SMART FEATURES**

Wi-Fi Enabled	No
ThinQ®	No
SmartDiagnosis™	Yes
NFC Tag On Technology	Yes

**MOTOR AND AGITATOR**

Motor Type	Inverter Direct Drive Motor
Axis	Horizontal

**MATERIALS AND FINISHES**

NeveRust™ Stainless Steel Drum	Yes
Door / Rim	Glass / Chrome
Door Cover	Black Tinted Round Cover

**TECHNICAL SPECS**

Electrical Requirements	120V, 60 Hz, 10 Amps
Type	Electric
Power Outlet Location	Within 60" of Either Side
Plug Type	3-Prong (Cord Attached to Unit)
Min. / Max. Water Pressure	20 - 120 psi

**INCLUDED ACCESSORIES**

Drain Hose, Hot/Cold Water Hoses, Non-skid Pads, Caps for covering shipping bolt holes, Wrench, Tie Strap, Elbow Bracket for Drain Hose.

**OPTIONAL ACCESSORIES**

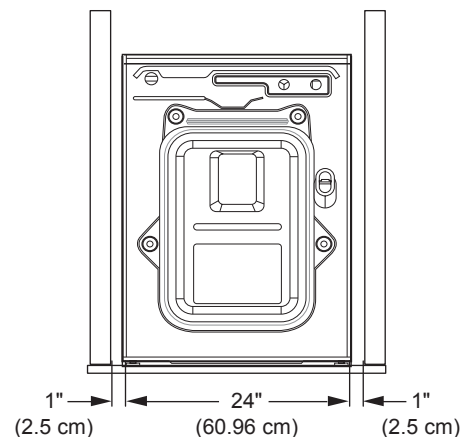
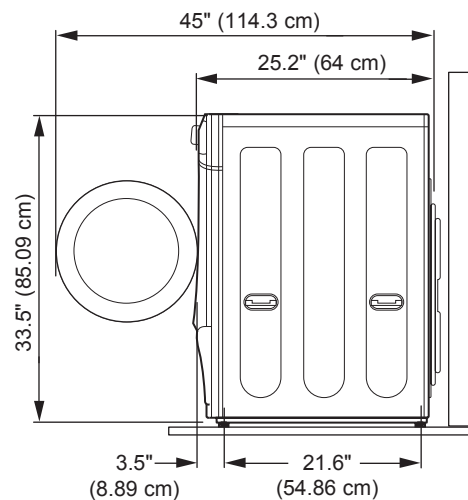
Pedestal	N/A
LG Sidekick™ Pedestal Washer	N/A
Stacking Kit	Not Stackable

**DIMENSIONS**

Product (W x H x D)	24" x 33 1/2" x 25 1/4"
Depth with Door Open	45"
Carton Dimensions (W x H x D)	26" x 35 3/4" x 27 3/4"
Approx. Weight (Product / Carton)	156.5 lbs. / 165.3 lbs.

**LIMITED WARRANTY**

Parts and Labor	1 Year
Direct Drive Motor	10 Years (Parts Only)
Drum	Lifetime (Parts Only)

**DIMENSIONS / CLEARANCES****INSTALLATION NOTES**

- To ensure sufficient clearance for water lines, the drain line and airflow, allow minimum clearances of at least 1 inch (2.5 cm) at the sides. Be sure to allow for wall, door, or floor moldings that may increase the required clearances.
- Install the washing machine on a solid floor that is strong and rigid enough to support the weight of the washing machine, even when fully loaded, without flexing or bouncing. If the floor has too much flex, you may need to reinforce it to make it more rigid. If the floor is not solid, it may cause severe vibration and noise.